

HI16/15

- Ensure the energy coordination between the arresters type T1 and T2 or the arresters type T2 and T3, especially in the places where there is no adequate distance between the arresters.
- If the energy coordination of surge protection is not observed, the excessive energy of passing impulse may cause a damage to the subsequent stage of the protective cascade.
- If there is at least 5 m distance between two successive arrester types (in case of two successive arrester types in two different switchboards), it is possible to omit the decoupling element.

| Type | | HI16/15 |
|--|----------|--------------------------|
| Rated operating AC voltage | U_N | 500 V |
| Rated load current | I_L | 16 A |
| Inductance $\pm 10\%$ | L | 15 μ H |
| DC resistance | R | < 0.01 Ω |
| Maximal back-up fuse | | 16 A gL/gG |
| Thermal class of insulation | | A (105 °C) |
| Housing material | | Polyamid PA6, UL94 V-0 |
| Degree of protection | | IP20 |
| Operating temperature | θ | -40 ÷ 70 °C |
| Humidity range | RH | 5 ÷ 95 % |
| Recommended cross-section of connected conductors | S | 6 mm ² |
| Clamp fastening range (solid conductor) | | 1.5 ÷ 25 mm ² |
| Clamp fastening range (stranded conductor) | | 1.5 ÷ 16 mm ² |
| Tightening moment | | 3 Nm |
| Installation | | On DIN rail 35 mm |
| Modular width | | 1 TE |
| Operating position | | Any |
| Product placement environment | | Internal |
| Remote signalling | | No |
| Modular design | | No |
| Designed according to standards | | |
| Requirements and test methods for SPDs connected to low-voltage power systems | | IEC 61643-11:2011 |
| Safety of Flammability of Plastic Materials | | UL 94 |
| Application standards | | |
| Protection against lightning | | IEC 62305:2010 |
| Selection and application principles for SPDs connected to low-voltage power systems | | CLC/TS 61643-12:2009 |

Ordering, packaging and additional data

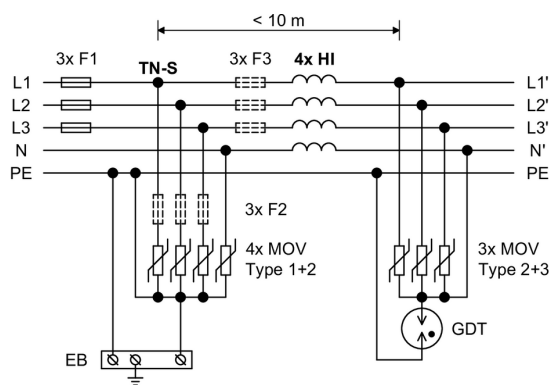
| | | |
|----------------------------------|---|----------------------|
| Mass | m | 160 g |
| Mass (including the packaging) | m | 171 g |
| Packaging dimensions (H x W x D) | | 26 x 98 x 73 mm |
| Packaging value | V | 0.19 dm ³ |
| ETIM group | | EG000021 |
| ETIM class | | EC000613 |
| Customs tariff no. | | 85363010 |
| EAN code | | 8590681117101 |
| Art. number | | 30 401 |



The link in the QR code leads to the online presentation of the HI16/15. There, in addition to the always up-to-date data sheet, you will also find all diagrams and drawings, declarations of conformity, or 2D or 3D models and other necessary materials. For more information, visit www.hakil.com



Application wiring diagram (installation)



Internal diagram

